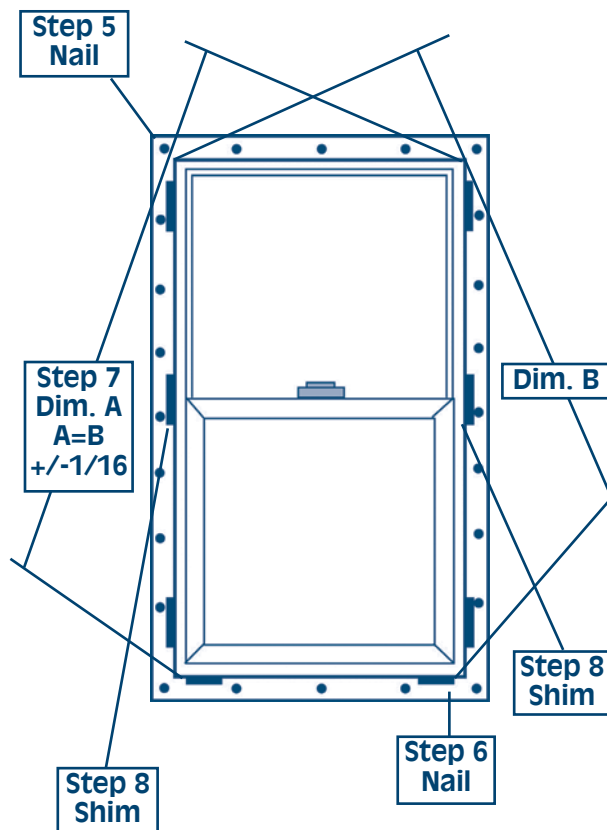


WINDOW INSTALLATION GUIDELINES

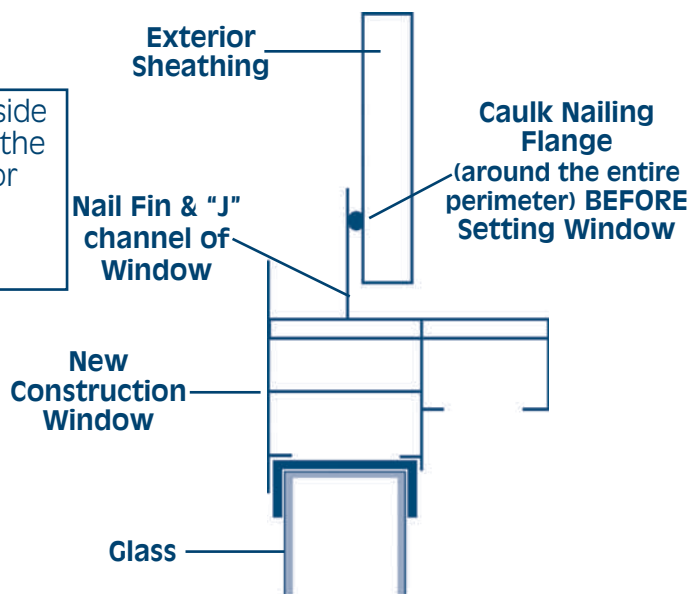
New Construction Vinyl Window Installation Guidelines

Installation:

1. Rough opening must be square (diagonals measure the same) and plumb and the sill plate must be level.
2. Keep window locked until installation is complete.
3. Caulk outside perimeter of rough opening.
4. Place the unit in the opening. Block the sill of the window from the sill plate of the opening near both jambs to provide equal clearance at the head and sill. Do not block or shim under the center section of the sill.
5. Center the unit in the opening. Using a 1½" roofing nail, fasten one top corner of nailing flange to the sheathing.
6. Making sure that the unit is level, remove or adjust sill blocks as necessary. Nail the opposite corner in place.
7. Square the window by adjusting the unfastened corners until diagonal dimensions "A" and "B" measure +/- 1/16" and reveal across the bottom sash at the sill is straight and even. Nail the remaining two corners in place.
8. Shim jambs at meeting rail and wherever necessary to eliminate all bowing in the frame.
9. Fasten the entire perimeter of the frame to the sheathing using nails in alternating prepunched holes. Verify that the window operates correctly.



Nail Illustration



Note: When applying brick to the outside of the house, leave at least 1/8" from the edge of the "J" channel to the brick for expansion. Fill the 1/8" gap with an acceptable, quality caulk.